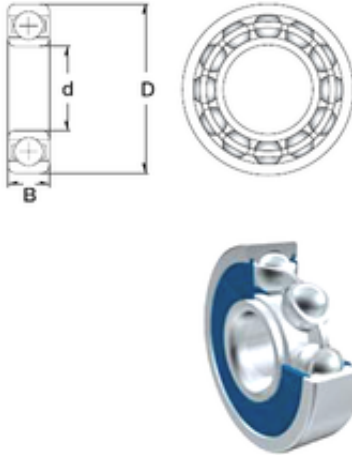




# PCIF BEARING LIMITED

17 mm x 40 mm x 12 mm ZEN S6203-2TS deep groove ball bearings



Bearing No. S6203-2TS

Size	17x40x12 mm
Bore Diameter	17 mm
Outer Diameter	40 mm
Width	12 mm
d	17 mm
D	40 mm
B	12 mm
C	12 mm
Weight	0,065 Kg
Basic dynamic load rating (C)	9,65 kN

S6203-2TS Bearing 2D drawings and 3D CAD models