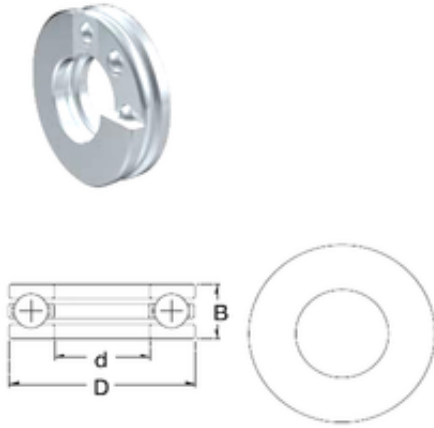




PCIF BEARING LIMITED

ZEN S51312 thrust ball bearings

Bearing No. S51312



S51312 Bearing 2D drawings and 3D CAD models

Size	60x110x35 mm
Bore Diameter	60 mm
Outer Diameter	110 mm
Width	35 mm
d	60 mm
D	110 mm
H	35 mm
Basic dynamic load rating (C)	100 kN
Basic static load rating (C0)	208 kN
(Grease) Lubrication Speed	1600 r/min