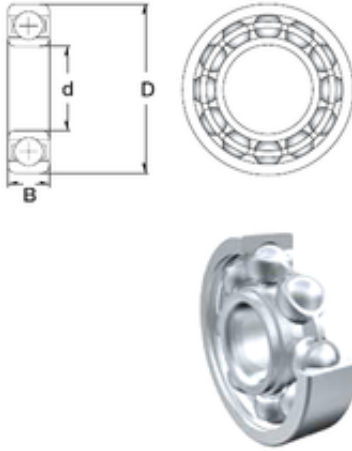




# PCIF BEARING LIMITED



19,05 mm x 41,275 mm x 11,113 mm ZEN  
SR12-2RS deep groove ball bearings

Bearing No. SR12-2RS

Size	19.05x41.275x11.113 mm
Bore Diameter	19,05 mm
Outer Diameter	41,275 mm
Width	11,113 mm
d	19,05 mm
D	41,275 mm
B	11,113 mm
C	11,113 mm
Basic dynamic load rating (C)	9,378 kN
Basic static load rating (C0)	5,057 kN
(Grease) Lubrication Speed	17000 r/min

SR12-2RS Bearing 2D drawings and 3D CAD models