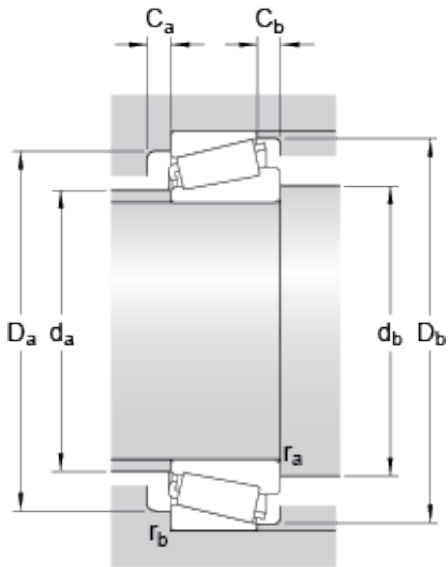




# PCIF BEARING LIMITED

160 mm x 290 mm x 80 mm skf 32232 bearing

Bearing No. 32232



32232 Bearing 2D drawings and 3D CAD models

Dimension series	4GD
d	160 mm
D	290 mm
T	84 mm
d <sub>1</sub>	222.11 mm
B	80 mm
C	67 mm
r <sub>1,2</sub> min.	4 mm
r <sub>3,4</sub> min.	3 mm
a	69.591 mm
d <sub>a</sub> max.	183 mm
d <sub>b</sub> min.	177.5 mm
D <sub>a</sub> min.	242 mm
D <sub>a</sub> max.	276 mm
D <sub>b</sub> min.	274 mm
C <sub>a</sub> min.	10 mm
C <sub>b</sub> min.	17 mm
r <sub>a</sub> max.	4 mm
r <sub>b</sub> max.	3 mm
Basic dynamic load rating C	934 kN
Basic static load rating C <sub>0</sub>	1400 kN
Fatigue load limit P <sub>u</sub>	132 kN
Reference speed	1600 r/min
Limiting speed	2200 r/min
Calculation factor e	0.43
Calculation factor Y	1.4



## PCIF BEARING LIMITED

Calculation factor $Y_0$	0.8
Mass bearing	23.2 kg