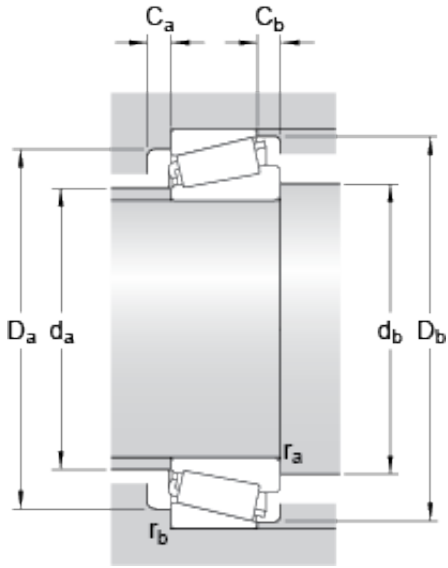




PCIF BEARING LIMITED

60 mm x 110 mm x 28 mm skf 32212 bearing

Bearing No. 32212



32212 Bearing 2D drawings and 3D CAD models

Dimension series	3EC
d	60 mm
D	110 mm
T	29.75 mm
d ₁	81.9 mm
B	28 mm
C	24 mm
r _{1,2} min.	2 mm
r _{3,4} min.	1.5 mm
a	24.052 mm
d _a max.	69 mm
d _b min.	70.5 mm
D _a min.	95 mm
D _a max.	102 mm
D _b min.	104 mm
C _a min.	4 mm
C _b min.	5.5 mm
r _a max.	2 mm
r _b max.	1.5 mm
Basic dynamic load rating C	155 kN
Basic static load rating C ₀	160 kN
Fatigue load limit P _u	18.6 kN
Reference speed	5000 r/min
Limiting speed	6000 r/min
Calculation factor e	0.4
Calculation factor Y	1.5



PCIF BEARING LIMITED

Calculation factor Y_0	0.8
Mass bearing	1.15 kg