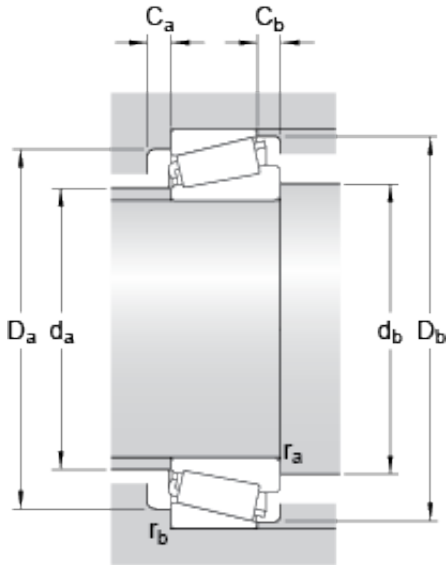




PCIF BEARING LIMITED

17 mm x 40 mm x 12 mm skf 30203 bearing

Bearing No. 30203



30203 Bearing 2D drawings and 3D CAD models

Dimension series	2DB
d	17 mm
D	40 mm
T	13.25 mm
d ₁	29 mm
B	12 mm
C	11 mm
r _{1,2} min.	1 mm
r _{3,4} min.	1 mm
a	9.515 mm
d _a max.	23 mm
d _b min.	23.5 mm
D _a min.	34 mm
D _a max.	34.5 mm
D _b min.	37 mm
C _a min.	2 mm
C _b min.	2 mm
r _a max.	1 mm
r _b max.	1 mm
Basic dynamic load rating C	23.4 kN
Basic static load rating C ₀	18.6 kN
Fatigue load limit P _u	1.83 kN
Reference speed	15000 r/min
Limiting speed	18000 r/min
Calculation factor e	0.35
Calculation factor Y	1.7



PCIF BEARING LIMITED

Calculation factor Y_0	0.9
Mass bearing	0.079 kg