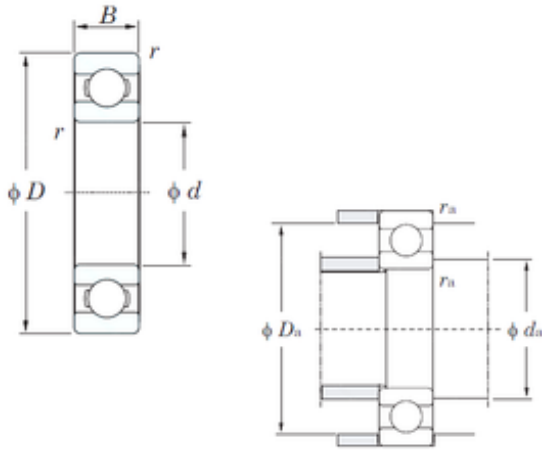




PCIF BEARING LIMITED



25 mm x 62 mm x 17 mm koyo 6305 bearing

Bearing No. 6305

6305 Bearing 2D drawings and 3D CAD models

| | |
|-------------------------------|--------------------------|
| Size | 25x62x17 mm |
| Bore Diameter | 25 mm |
| Outer Diameter | 62 mm |
| Width | 17 mm |
| d | 25 mm |
| D | 62 mm |
| B | 17 mm |
| C | 17 mm |
| r min. | 1,1 mm |
| da min. | 31,5 mm |
| Da max. | 55,5 mm |
| ra max. | 1 mm |
| Weight | 0,232 Kg |
| Basic dynamic load rating (C) | 20,6 kN |
| Basic static load rating (C0) | 11,3 kN |
| (Grease) Lubrication Speed | 11000 r/min |
| (Oil) Lubrication Speed | 13000 r/min |
| Category | Single Row Ball Bearings |
| Inventory | 0.0 |
| Manufacturer Name | KOYO |
| Minimum Buy Quantity | N/A |
| Weight / Kilogram | 0.254 |
| Product Group | B00308 |
| Enclosure | Open |
| Precision Class | ABEC 1 ISO P0 |
| Maximum Capacity / Filling | No |



PCIF BEARING LIMITED

| | |
|---------------------------|--|
| Slot | |
| Rolling Element | Ball Bearing |
| Snap Ring | No |
| Internal Special Features | No |
| Cage Material | Steel |
| Internal Clearance | C0-Medium |
| Inch - Metric | Metric |
| Long Description | 25MM Bore; 62MM Outside Diameter; 17MM Outer Race Diameter; Open; Ball Bearing; ABEC 1 ISO P0; No Filling Slot; No Snap Ring; No Internal Special Features |
| Category | Single Row Ball Bearing |
| UNSPSC | 31171504 |
| Harmonized Tariff Code | 8482.10.50.68 |
| Noun | Bearing |
| Keyword String | Ball |
| Manufacturer URL | http://www.koyousa.com |
| Manufacturer Item Number | 6305 |
| Weight / LBS | 0.56 |
| Outer Race Width | 0.669 Inch 17 Millimeter |
| Outside Diameter | 2.441 Inch 62 Millimeter |
| Bore | 0.984 Inch 25 Millimeter |
| Bearing No. | 6305 |
| r(min) | 1.1 |
| Cr | 25.7 |
| C0r | 11.3 |
| Cu | 0.860 |
| f0 | 13.2 |
| Grease lub. | 11000 |
| Oil lub. | 13000 |
| da(min) | 31.5 |
| | |



PCIF BEARING LIMITED

| | |
|------------------|-------|
| Da(max) | 55.5 |
| ra(max) | 1 |
| (Refer.)Mass(kg) | 0.232 |